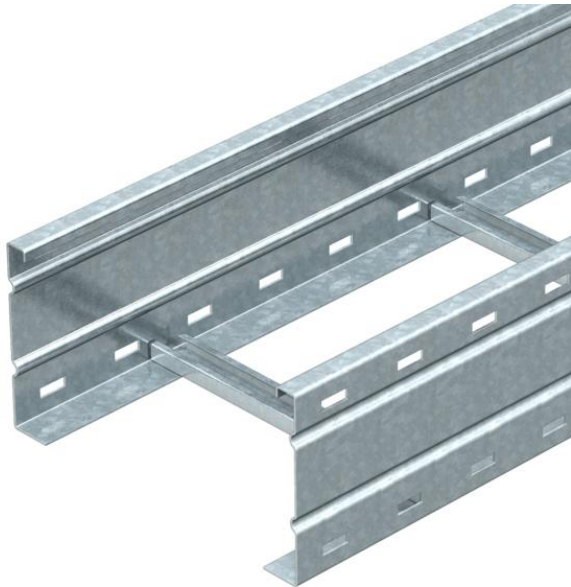


Technical data sheet

Wide span cable ladder WKLG 160 FT

Item number: 6227155



Wide span cable ladder with perforated side rail of side height of 160 mm. Fastening of cables with clamp clip, type 2056.
Straight connectors of type WRV 160 should be ordered separately and in the appropriate quantity.
Magnetic shield insulation without cover 10 dB, with cover 15 dB.



St Steel

FT Hot-dip galvanised

Master data

| | |
|---------------------|------------------------|
| Item number | 6227155 |
| Type | WKLG 1650 FT |
| Description 1 | Wide span cable ladder |
| Description 2 | perforated side rail |
| Manufacturer | OBO |
| Dimension | 160x500x6000 |
| Material | Steel |
| Surface | Hot-dip galvanised |
| Surface standard | DIN EN ISO 1461 |
| Smallest sales unit | 6 |
| Unit of quantity | Metre |
| Weight | 867.334 kg |
| Weight unit | kg/100 m |

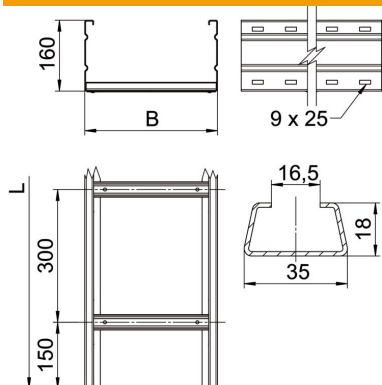
Technical data sheet

Wide span cable ladder WKLG 160 FT

Item number: 6227155



Dimensions



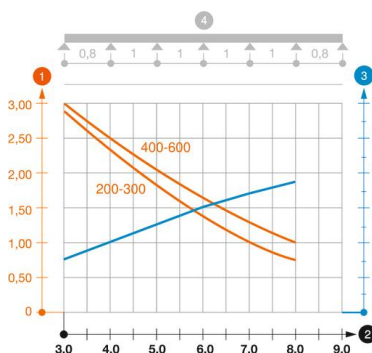
| | |
|---------------------|-----------|
| Dimension | 160 x 500 |
| Length | 6,000 mm |
| Length | 6,000 ft |
| Width | 500 mm |
| Height | 160 mm |
| Dimension B | 500 mm |
| Dimension L | 6,000 mm |
| Rung slot dimension | 16.50 |

Technical data

| | |
|-------------------------------|-----------------------|
| Version of the rungs | Profile unperforated |
| Maintain electrical functions | no |
| Usable cross-section | 717 cm ² |
| Usable cross-section | 71700 mm ² |
| Rustproof steel, pickled | no |
| Side perforation | yes |
| Wide-span version | yes |
| Rail thickness | 2 mm |

Loads

| | |
|-----------------------------------|-----------|
| Insertable support spacings, min. | 3 m |
| Insertable support spacings, max. | 8 m |
| Support spacing 3.0 m | 3 kN/m |
| Support spacing 3.5 m | 2.73 kN/m |
| Support spacing 4.0 m | 2.5 kN/m |
| Support spacing 4.5 m | 2.24 kN/m |
| Support spacing 5.0 m | 2 kN/m |
| Support spacing 6.0 m | 1.6 kN/m |
| Support spacing 7.0 m | 1.3 kN/m |
| Support spacing 8.0 m | 1 kN/m |



Load diagram, wide span cable ladder, type WKLG 160

- 1 Permitted cable tray/ladder load in kN/m without man load
- 2 Support width in m
- 3 Rail bend in mm at permitted kN/m
- 4 Load scheme during testing
- Load curve with cable tray/ladder width in mm
- Strut bend curve according to support width