

# Technical data sheet

## Cable gland, long PG thread, silver grey

Item number: 2024209



Cable gland with PG connection thread in cap nut design, suitable for junction boxes, housings, distributor boxes in private and industrial areas. With strain relief and integrated sealing lip, tested according to DIN EN 62444. Protection class IP68. Can be used between  $-20^{\circ}\text{C}$  and  $+65^{\circ}\text{C}$ .



PA Polyamide

### Master data

Item number	2024209
Type	V-TEC L PG13 SGR
Description 1	Cable gland
Description 2	with long connection thread
Manufacturer	OBO
Dimension	PG13,5
Colour	Silver grey; RAL 7001
Material	Polyamide
Smallest sales unit	50
Unit of quantity	Piece
Weight	1.09 kg
Weight unit	kg/100 pc.

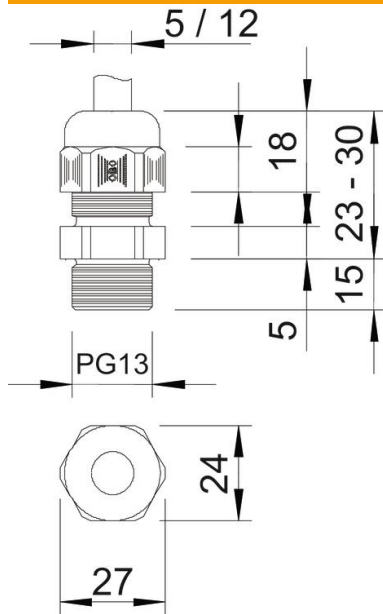
# Technical data sheet

## Cable gland, long PG thread, silver grey

Item number: 2024209



### Dimensions



Dimension E	27 mm
Dimension L max.	30 mm
Dimension L min.	23 mm
Dimension L1	15 mm
Dimension L2	5 mm
Dimension L3	18 mm

### Technical data

Type of seal	Sealing ring
Version for	Straight
Bend protection	no
Sealing area D, max.	12 mm
Sealing area D, min.	5 mm
explosion-proof	no
Flat cable gland	no
For Ex zone	Without
For Ex zone gas	Without
For Ex zone dust	Without
Thread	Pg 13,5
Thread type	PG
Thread length	15 mm
Nominal thread size	13.5
Thread increase	1.5 mm
Fibre-glass reinforced	no
Halogen-free	yes
Unstable torque	2.5 Nm
Sealing insert, multiple	no
With locknut	no
Impact-resistant	no
WAF	24
Protection rating	IP68
Hexagonal corner dimension	27 mm
Splittable gland	no
Permitted temperature range, max.	65 °C

# Technical data sheet

Cable gland, long PG thread, silver grey

Item number: 2024209



## Technical data

Permitted temperature range, min.	-20 °C
Strain relief and wringing protection D2, max.	12 mm
Strain relief and wringing protection D2, min.	6 mm
Strain relief option	yes