

# Technical data sheet

## Noise protection slipper

Item number: 7405798



Noise protection slipper to minimise the transmission of footfall sound by up to 4 dB. Is pushed onto the height-adjustment base of the cassettes. The noise protection slipper increases the minimum installation depth by approx. 3 mm.  
Can be supplemented with the noise protection anchor (item no. 7405799 SRD 3) for additional reduction of the footfall noise transmission.



**TPE** Thermoplastic elastomer

### Master data

Item number	7405798
Type	SRS 4
Description 1	Sound reducing slipper
Description 2	for RK NEV
Manufacturer	OBO
Material	Thermoplastic elastomer
Smallest sales unit	4
Unit of quantity	Piece
Weight	0.072 kg
Weight unit	kg/100 pc.

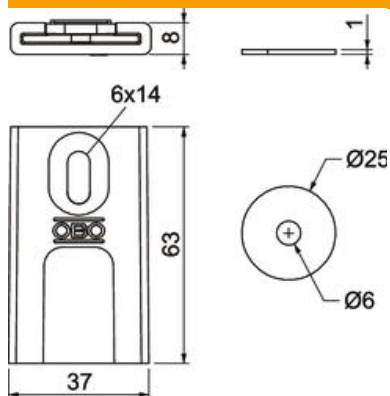
# Technical data sheet

## Noise protection slipper

Item number: 7405798



### Dimensions



Length	63 mm
Width	37 mm
Height	8 mm