

# Technical data sheet

## Electrogalvanised steel bend, without thread

Item number: 2046810



90° bend with moulded sleeves, for electrical installation pipes according to EN 61386-1. With burr-free inner wall.



**St** Steel

**G** Electrogalvanized

### Master data

Item number	2046810
Type	SBN25 G
Description 1	Conduit plug-in bend
Description 2	without thread
Manufacturer	OBO
Dimension	Ø25mm
Material	Steel
Surface	Electrogalvanized
Surface standard	EN ISO 19598 / EN ISO 4042
Smallest sales unit	25
Unit of quantity	Piece
Weight	24.4 kg
Weight unit	kg/100 pc.

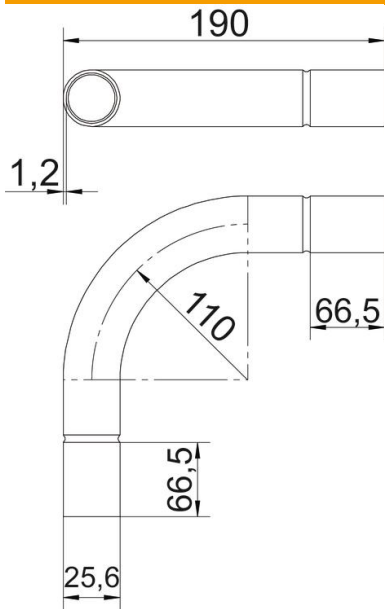
# Technical data sheet

## Electrogalvanised steel bend, without thread



Item number: 2046810

### Dimensions



Dimension A	66.5 mm
Dimension B	191 mm
Dimension D	28 mm
Dimension d	25.5 mm
Dimension l	40 mm
Dimension m (mm)	M25
Dimension R	110 mm
Dimension t	1.2 mm

### Technical data

Version for	Connector
Flexible	no
For nominal pipe diameter	25 mm
Halogen-free	no
With inspection opening and lid	no
With sleeve	yes
Brushed surface	no
Polished surface	no
Angle of the bend	90 °
Two-part	no