

Technical data sheet

Aluminium pipe bend, without thread

Item number: 2046013



90° bend with moulded sleeves, for electrical installation pipes according to EN 61386-1. With burr-free inner wall.



Alu Aluminium

Master data

Item number	2046013
Type	SB20W ALU
Description 1	Aluminium conduit bend
Description 2	without thread
Manufacturer	OBO
Dimension	Ø20mm
Material	Aluminium
Smallest sales unit	25
Unit of quantity	Piece
Weight	5.5 kg
Weight unit	kg/100 pc.

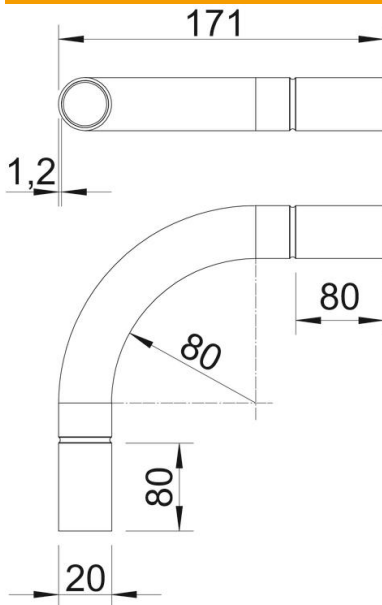
Technical data sheet

Aluminium pipe bend, without thread



Item number: 2046013

Dimensions



Dimension A	80 mm
Dimension B	171 mm
Dimension D	20.2 mm
Dimension I	30 mm
Dimension m (mm)	M20
Dimension R	70 mm
Dimension t	1.2 mm

Technical data

Version for	Connector
Flexible	no
For nominal pipe diameter	20 mm
Halogen-free	no
With inspection opening and lid	no
With sleeve	yes
Brushed surface	no
Polished surface	no
Permitted temperature range, max.	250 °C
Permitted temperature range, min.	-45 °C
Angle of the bend	90 °
Two-part	no