

# Technical data sheet

## Wall and support bracket MWAG 12

Item number: 6424616



Light-duty wall and support bracket with edged design for screwless mesh cable tray fastening.  
Including truss-head bolt M10 x 25 for fastening to U supports.  
Including truss-head bolt M10 x 25 for fastening to U supports.



- St** Steel
- FS** Strip galvanized

### Master data

Item number	6424616
Description 1	Wall and support bracket
Description 2	for mesh cable tray
Manufacturer	OBO
Dimension	B310mm
Material	Steel
Surface	Strip galvanized
Surface standard	DIN EN 10346
Smallest sales unit	1
Unit of quantity	Piece
Weight	50.3 kg
Weight unit	kg/100 pc.

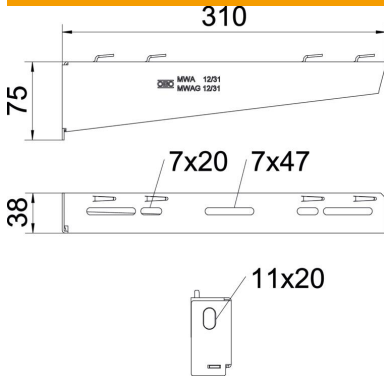
# Technical data sheet

## Wall and support bracket MWAG 12

Item number: 6424616



### Dimensions

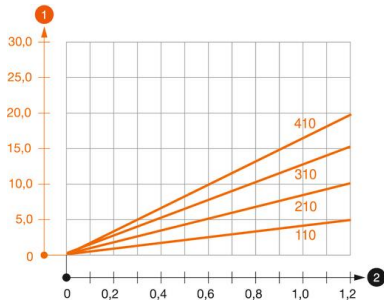


Length	38.5 mm
Width	310 mm
Width	12 in
Height	75 mm
Height	2.95 in
Dimension A	38.5 mm
Dimension B	310 mm
Dimension H	75 mm

### Technical data

Version for	Wall and support bracket
F in kN	1.2 kN
Maintain electrical functions for width max.	no
for width min.	300 mm
Hole diameter	300
Rustproof steel, pickled	11 mm
Angle range, max.	no
Angle range, min.	90 mm

### Loads



#### Load diagram, bracket type MWAG 12

- 1 Bending of the bracket tip at permitted bracket load
- 2 Permitted bracket load in kN without man load
- Load curve with bracket lengths in mm

### Characteristic anchor load values for wall and support bracket MWAG 12

Anchor type	Max. load [kN]			
	Bracket width [mm]			
BZ3 10x90/0-30	110	210	310	410
	1.2	1.2	1.2	1.2

Die angegebenen Werte basieren auf ungerissenen Beton der Festigkeitsklasse C20/25. Die Einbaubedingungen der ETA-Zulassung (Dübel) sind zu beachten!

# Technical data sheet

## Wall and support bracket MWAG 12

Item number: 6424616



### Load values for MWAG 12 on suspended support



Support	Max. total load F in kN			
	Bracket length in mm			
	100	200	300	400
US 3 K/ 20 - 60	1.2	1.2	1.2	1.2
US 3 K/ 70 - 120	1.2	1.2	1.2	1.2
US 5 K/ 20 - 60	1.2	1.2	1.2	1.2
US 5 K/ 70 - 120	1.2	1.2	1.2	1.2