

# Technical data sheet

## Cable duct, type LKM 20020

Item number: 6246966



Duct cover and base with base perforation.

Equipotential bonding is guaranteed between the cover and the base without any additional aids.



**St** Steel

**FS** Strip galvanized

### Master data

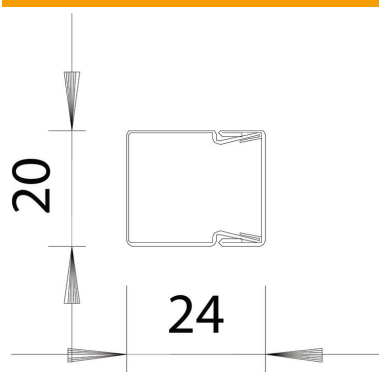
Item number	6246966
Type	LKM20020FS
Description 1	Cable trunking
Description 2	with base perforation
Manufacturer	OBO
Dimension	20x20x2000
Material	Steel
Surface	Strip galvanized
Surface standard	DIN EN 10346
Smallest sales unit	2
Unit of quantity	Metre
Weight	46 kg
Weight unit	kg/100 m

# Technical data sheet

## Cable duct, type LKM 20020

Item number: 6246966

### Dimensions



Length	2,000 mm
Width	20 mm
Height	24 mm

### Technical data

Number of fixed partitions	0
Number of insertable partitions	0
Version, cable trunking cover	Loose
Fastening type	Base perforation
Base perforation	with base perforation
Maintain electrical functions	no
Halogen-free	yes
Cable retaining clip	no
Duct connector	no
Usable cross-section	171 mm <sup>2</sup>
Protection rating	IP30
Protective film	no
Protection rating IK code	IK10
Permitted temperature range, max.	90 °C
Permitted temperature range, min.	-5 °C