

Technical data sheet

90° bend 110 FS

Item number: 6225128



90° bend, horizontal, with welded rung for all cable ladder types of 110 mm side height.
Connectors should be ordered separately and in the appropriate quantity.



St Steel

FS Strip galvanized

Master data

Item number	6225128
Type	LB 90 1150 R3 FS
Description 1	90° bend
Description 2	for cable ladder
Manufacturer	OBO
Dimension	110x500
Material	Steel
Surface	Strip galvanized
Surface standard	DIN EN 10346
Smallest sales unit	1
Unit of quantity	Piece
Weight	580.4 kg
Weight unit	kg/100 pc.

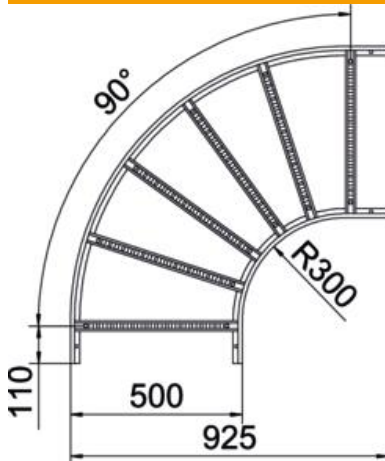
Technical data sheet

90° bend 110 FS

Item number: 6225128



Dimensions



Width	500 mm
Height	110 mm
Dimension B	500 mm
Dimension R	500 mm

Technical data

Bend (angle)	90°
Version of the rungs	Profile perforated
Side rail version	Flat profile
Connector version	Without connectors
Maintain electrical functions	no
Change of direction	Horizontal
Rustproof steel, pickled	no
Hinged	no
Side perforation	no
Wide-span version	no
Rail thickness	1.5 mm