

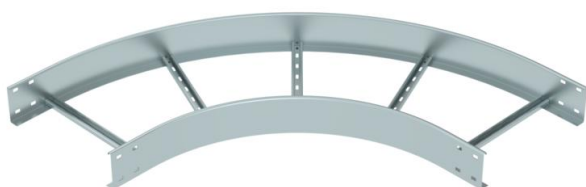
Technical data sheet

90° bend 110 FS

Item number: 6217686



90° bend, horizontal, for all wide span cable ladders of 110 mm side height. Connectors should be ordered separately and in the appropriate quantity.



St Steel

FS Strip galvanized

Master data

Item number	6217686
Type	LB 90 1140 R5 FS
Description 1	90° bend
Description 2	for cable ladder, horizontal
Manufacturer	OBO
Dimension	110x400
Material	Steel
Surface	Strip galvanized
Surface standard	DIN EN 10346
Smallest sales unit	1
Unit of quantity	Piece
Weight	631 kg
Weight unit	kg/100 pc.

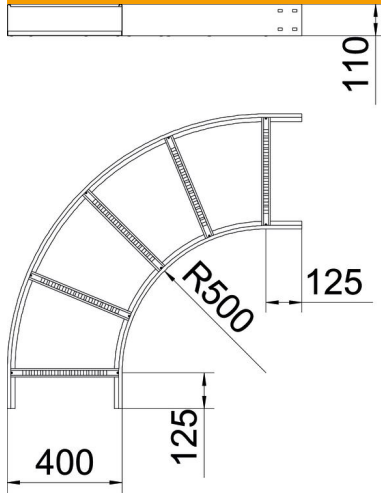
Technical data sheet

90° bend 110 FS

Item number: 6217686



Dimensions



Width	400 mm
Height	110 mm
Dimension B	400 mm
Dimension R	400 mm

Technical data

Bend (angle)	90°
Version of the rungs	Profile unperforated
Side rail version	Flat profile
Maintain electrical functions	no
Change of direction	Horizontal
Rustproof steel, pickled	no
Side perforation	no
Wide-span version	no