

Technical data sheet

Body-bound rivet, KSN 22

Item number: 6178525



The KNW2 riveting tool should be used for rapid mounting and for the optimum function. Dimension of the drill hole: 6.5 mm.

Total clamping strength: 2.8 – 6 mm



PA Polyamide

Master data

Item number	6178525
Type	KSN22
Description 1	Body-bound rivet
Description 2	size 2
Manufacturer	OBO
Dimension	Ø6,3mm
Colour	Light grey; RAL 7035
Material	Polyamide
Smallest sales unit	100
Unit of quantity	Piece
Weight	0.07 kg
Weight unit	kg/100 pc.

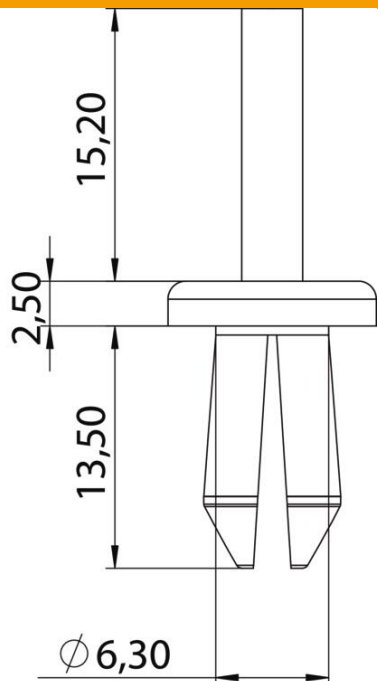
Technical data sheet

Body-bound rivet, KSN 22

Item number: 6178525



Dimensions



Dimension a 6.3 mm

Technical data

Bore hole diameter	6.5 mm
Halogen-free	yes