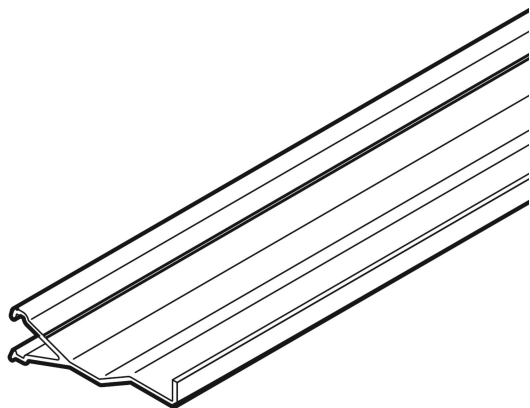


Technical data sheet

Partition CL CLOISON

Item number: 6132924



Partition for the CLIDI NF device installation trunking. To divide the trunking system into 2 equally sized chambers. For attaching to the trunking base.



PVC Polyvinylchloride

Master data

Item number	6132924
Type	CL CLOISON
Description 1	Partition
Description 2	CLIDI nature
Manufacturer	OBO
Material	Polyvinylchloride
Smallest sales unit	80
Unit of quantity	Metre
Weight	10.6 kg
Weight unit	kg/100 m

Dimensions

Length	2,000 mm
Width	6 mm
Height	1 mm

Technical data sheet

Partition CL CLOISON

Item number: 6132924



Technical data

Fastening type	Lockable
Suitable for duct depth	45
Halogen-free	no
Protection rating	IP40
Protection rating IK code	IK07.
Permitted temperature range, max.	60 °C
Permitted temperature range, min.	-5 °C