

Technical data sheet

Clamp clip 2056, U-foot, single, metal pressure trough, A2

Item number: 1188422



Clamp clip with U-foot, metal pressure trough with rounded edges to protect the cable. For vertical and horizontal mounting of 1 single cable on a C-profile rail. For slot width 18–22 mm. With 1-start screw thread on pressure trough, universal hexagonal screw head WAF10, with slot and cross recess. Suitable for mounting indoors and outdoors. We recommend the use of a counter-trough.



A2 Stainless steel

2B Bright, treated

Master data

| | |
|---------------------|-----------------|
| Item number | 1188422 |
| Type | BS-U1-M-52 A2 |
| Description 1 | Clamp clip 2056 |
| Manufacturer | OBO |
| Dimension | 46-52mm |
| Material | Stainless steel |
| Surface | Bright, treated |
| Surface standard | |
| Smallest sales unit | 100 |
| Unit of quantity | Piece |
| Weight | 11.106 kg |
| Weight unit | kg/100 pc. |

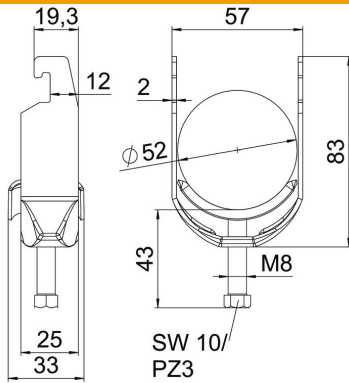
Technical data sheet

Clamp clip 2056, U-foot, single, metal pressure trough, A2



Item number: 1188422

Dimensions



| | |
|------------------|-------|
| Length | 25 mm |
| Width | 57 mm |
| Height | 83 mm |
| Plate thickness | 2 mm |
| Dimension A | 25 mm |
| Dimension B | 57 mm |
| Dimension C | 33 mm |
| Dimension G (mm) | M8 |
| Dimension H | 83 mm |
| Dimension L | 43 mm |
| Dimension t | 2 mm |

Technical data

| | |
|--|-----------------|
| Number of cables/pipes | 1 |
| For pipe diameter, max. | 52 mm |
| For pipe diameter, min. | 46 mm |
| for rail with slot width (with interval), max. | 22 mm |
| for rail with slot width (with interval), min. | 18 mm |
| Thread | M8 |
| Halogen-free | yes |
| Length of external dimensions | 33 mm |
| Max. Tightening torque | 5 Nm |
| With metal trough | yes |
| Mounting type | Profile rail |
| Slot width | 10 mm |
| Clamping range D, max. | 52 mm |
| Clamping range D, min. | 46 mm |
| Surface addition | Untreated |
| Material addition | Rustproof steel |