

# Technical data sheet

Clamp clip 2056, F-foot, single, plastic pressure trough,  
ALU

Item number: 1188252



Clamp clip with F-foot, plastic pressure trough made of polypropylene. For vertical and horizontal mounting of 1 single cable on flat bars. With 1-start screw thread on pressure trough, universal hexagonal screw head WAF10, with slot and cross recess. Suitable for mounting indoors and outdoors. We recommend the use of a counter-trough.



**Alu** Aluminium

## Master data

Item number	1188252
Type	BS-F1-K-52 ALU
Description 1	Clamp clip 2056
Manufacturer	OBO
Dimension	46-52mm
Material	Aluminium
Smallest sales unit	100
Unit of quantity	Piece
Weight	3.704 kg
Weight unit	kg/100 pc.

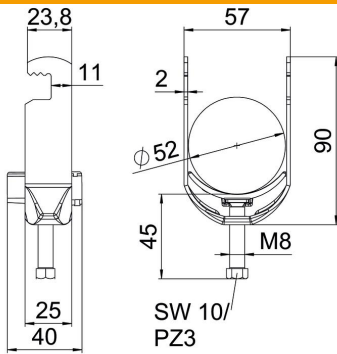
# Technical data sheet

Clamp clip 2056, F-foot, single, plastic pressure trough,  
ALU

Item number: 1188252



## Dimensions



Length	25 mm
Width	57 mm
Height	90 mm
Plate thickness	2 mm
Dimension A	25 mm
Dimension B	57 mm
Dimension C	40 mm
Dimension G (mm)	M8
Dimension H	90 mm
Dimension L	45 mm
Dimension t	2 mm

## Technical data

Number of cables/pipes	1
For pipe diameter, max.	52 mm
For pipe diameter, min.	46 mm
Thread	M8
Halogen-free	yes
Length of external dimensions	40 mm
Max. Tightening torque	5 Nm
With plastic trough	yes
Mounting type	Flat profile
Slot width	10 mm
Clamping range D, max.	52 mm
Clamping range D, min.	46 mm
Surface addition	Untreated
Material addition	Aluminium