

# Technical data sheet

Clamp clip 2056, F-foot, single, plastic pressure trough,  
ALU

Item number: 1188243



Clamp clip with F-foot, plastic pressure trough made of polypropylene. For vertical and horizontal mounting of 1 single cable on flat bars. With 1-start screw thread on pressure trough, universal hexagonal screw head WAF10, with slot and cross recess. Suitable for mounting indoors and outdoors. We recommend the use of a counter-trough.



**Alu** Aluminium

## Master data

|                     |                 |
|---------------------|-----------------|
| Item number         | 1188243         |
| Type                | BS-F1-K-34 ALU  |
| Description 1       | Clamp clip 2056 |
| Manufacturer        | OBO             |
| Dimension           | 28-34mm         |
| Material            | Aluminium       |
| Smallest sales unit | 100             |
| Unit of quantity    | Piece           |
| Weight              | 2.359 kg        |
| Weight unit         | kg/100 pc.      |

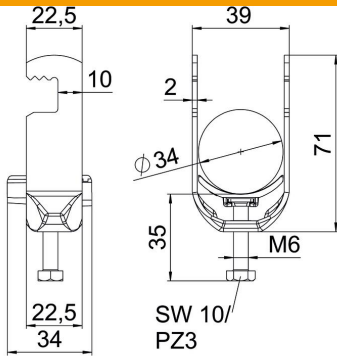
# Technical data sheet

Clamp clip 2056, F-foot, single, plastic pressure trough,  
ALU

Item number: 1188243



## Dimensions



|                  |         |
|------------------|---------|
| Length           | 22.5 mm |
| Width            | 39 mm   |
| Height           | 71 mm   |
| Plate thickness  | 2 mm    |
| Dimension A      | 22.5 mm |
| Dimension B      | 39 mm   |
| Dimension C      | 34 mm   |
| Dimension G (mm) | M6      |
| Dimension H      | 71 mm   |
| Dimension L      | 35 mm   |
| Dimension t      | 2 mm    |

## Technical data

|                               |              |
|-------------------------------|--------------|
| Number of cables/pipes        | 1            |
| For pipe diameter, max.       | 34 mm        |
| For pipe diameter, min.       | 28 mm        |
| Thread                        | M6           |
| Halogen-free                  | yes          |
| Length of external dimensions | 34 mm        |
| Max. Tightening torque        | 3 Nm         |
| With plastic trough           | yes          |
| Mounting type                 | Flat profile |
| Slot width                    | 10 mm        |
| Clamping range D, max.        | 34 mm        |
| Clamping range D, min.        | 28 mm        |
| Surface addition              | Untreated    |
| Material addition             | Aluminium    |