

Technical data sheet

Clamp clip 2056, F-foot, single, plastic pressure trough, A2

Item number: 1188267



Clamp clip with F-foot, plastic pressure trough made of polypropylene. For vertical and horizontal mounting of 1 single cable on flat bars. With 1-start screw thread on pressure trough, universal hexagonal screw head WAF10, with slot and cross recess. Suitable for mounting indoors and outdoors. We recommend the use of a counter-trough.



A2 Stainless steel

2B Bright, treated

Master data

| | |
|---------------------|-----------------|
| Item number | 1188267 |
| Type | BS-F1-K-22 A2 |
| Description 1 | Clamp clip 2056 |
| Manufacturer | OBO |
| Dimension | 16-22mm |
| Material | Stainless steel |
| Surface | Bright, treated |
| Surface standard | |
| Smallest sales unit | 100 |
| Unit of quantity | Piece |
| Weight | 4.186 kg |
| Weight unit | kg/100 pc. |

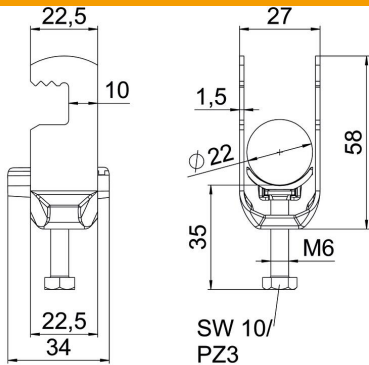
Technical data sheet

Clamp clip 2056, F-foot, single, plastic pressure trough, A2



Item number: 1188267

Dimensions



| | |
|------------------|---------|
| Length | 22.5 mm |
| Width | 27 mm |
| Height | 58 mm |
| Plate thickness | 1.5 mm |
| Dimension A | 22.5 mm |
| Dimension B | 27 mm |
| Dimension C | 34 mm |
| Dimension G (mm) | M6 |
| Dimension H | 58 mm |
| Dimension L | 35 mm |
| Dimension t | 1.5 mm |

Technical data

| | |
|-------------------------------|-----------------|
| Number of cables/pipes | 1 |
| For pipe diameter, max. | 22 mm |
| For pipe diameter, min. | 16 mm |
| Thread | M6 |
| Halogen-free | yes |
| Length of external dimensions | 34 mm |
| Max. Tightening torque | 3 Nm |
| With plastic trough | yes |
| Mounting type | Flat profile |
| Slot width | 10 mm |
| Clamping range D, max. | 22 mm |
| Clamping range D, min. | 16 mm |
| Surface addition | Untreated |
| Material addition | Rustproof steel |