

Technical data sheet

Spacer clip 732 FT

Item number: 1362362



Spacer clip for the installation of pipes and cables on walls, ceiling and floors. With self-locking upper part. Surfaces G and FT from a clip size of 20 are suitable for installation with a nail device or a bolt-firing tool.

Approved for the maintenance of electrical function according to DIN 4102 Part 12, maintenance of electrical function classes E30 to E90.



St Steel

FT Hot-dip galvanised

Master data

| | |
|---------------------|-----------------------------|
| Item number | 1362362 |
| Type | ASG 732 12 FT |
| Description 1 | Distance saddle |
| Description 2 | with threaded connection M6 |
| Manufacturer | OBO |
| Dimension | 10-12mm |
| Material | Steel |
| Surface | Hot-dip galvanised |
| Surface standard | DIN EN ISO 1461 |
| Smallest sales unit | 25 |
| Unit of quantity | Piece |
| Weight | 1.653 kg |
| Weight unit | kg/100 pc. |

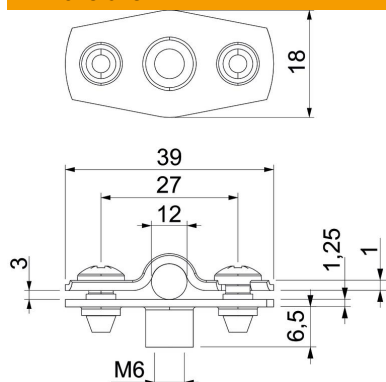
Technical data sheet

Spacer clip 732 FT

Item number: 1362362



Dimensions



| | |
|-------------------|--------|
| Dimension A | 39 mm |
| Dimension B | 27 mm |
| Dimension b | 18 mm |
| Dimension D | 12 mm |
| Dimension d max. | 12 mm |
| Dimension d min. | 10 mm |
| Dimension H1 | 6.5 mm |
| Dimension t1 (mm) | 1 |
| Dimension t2 (mm) | 1.25 |
| Dimension x | 3 mm |

Technical data

| | |
|----------------------------------|---------------------|
| Distance to the wall | yes |
| Number of cables/pipes | 1 |
| Version for | Closed |
| Fastening type | Threaded connection |
| For diameter | 10 - 12 |
| Suitable in fire protection area | yes |
| Halogen-free | yes |
| Plastic-covered | no |
| Material thickness | 1.25 mm |
| Clamping range D, max. | 12 mm |
| Clamping range D, min. | 10 mm |
| UV-resistant | yes |