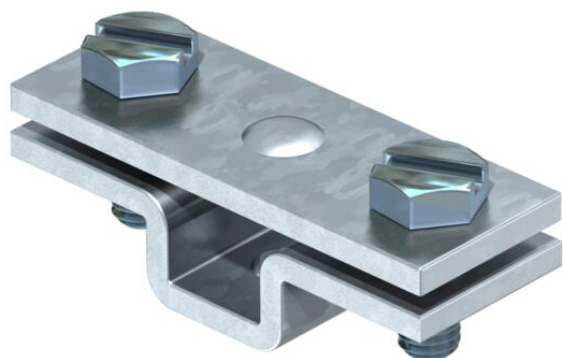


Technical data sheet

Spacer for flat conductor with fastening hole $\varnothing 7$

Item number: 5032547



- Fit: FL 30 and FL 40
- With mounting hole $\varnothing 7$ mm and 2 hexagonal bolts M6 x 16

St	Steel
FT	Hot-dip galvanised

Master data

Item number	5032547
Type	832 40
Description 1	Spacer
Description 2	for steel strip
Manufacturer	OBO
Dimension	40mm
Material	Steel
Surface	Hot-dip galvanised
Surface standard	DIN EN ISO 1461
Smallest sales unit	25
Unit of quantity	Piece
Weight	7.612 kg
Weight unit	kg/100 pc.

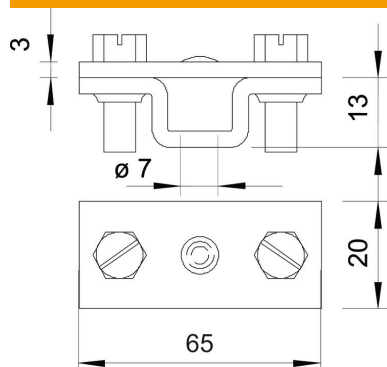
Technical data sheet

Spacer for flat conductor with fastening hole $\varnothing 7$

Item number: 5032547



Dimensions



Dimension B	65 mm
-------------	-------

Technical data

Fit	max. FL40 mm
Intermediate plate	no