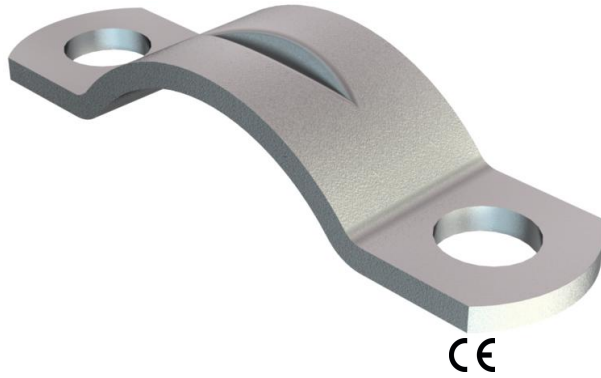


Technical data sheet

Strain relief clip 7903

Item number: 1437011



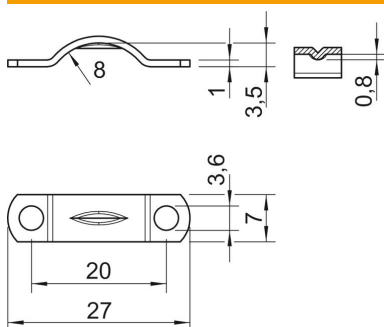
Fastening clip for strain relief of cables

- St** Steel
- G** Electrogalvanized

Master data

Item number	1437011
Type	7903 8 G
Description 1	Strain relief clip
Manufacturer	OBO
Dimension	8mm
Material	Steel
Surface	Electrogalvanized
Surface standard	EN ISO 19598 / EN ISO 4042
Smallest sales unit	100
Unit of quantity	Piece
Weight	0.13 kg
Weight unit	kg/100 pc.

Dimensions



Length	27 mm
Width	7 mm
Height	3.5 mm
Dimension b	7 mm
Dimension d	3.6 mm
Dimension h	3.5 mm
Dimension H1 (mm)	0.8
Dimension L	27 mm
Dimension l	20 mm
Dimension R	8 mm
Dimension t	1 mm

Technical data

Distance to the wall	no
Number of cables/pipes	1

Technical data sheet

Strain relief clip 7903

Item number: 1437011



Technical data

Version for	Two-lobe
Fastening type	Screw hole
For diameter	8
Suitable in fire protection area	no
Size	II
Halogen-free	yes
Plastic-covered	no
Hole size	3,6 mm
Material thickness	0.8 mm
Nominal diameter	8 mm
Clamping range D, max.	8 mm
Clamping range D, min.	8 mm
UV-resistant	yes