

Technical data sheet

Strain relief clip 7901

Item number: 1435027



Fastening clip for strain relief of cables



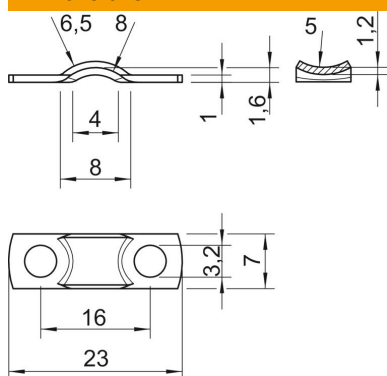
St Steel

G Electrogalvanized

Master data

Item number	1435027
Type	7901 6.5 G
Description 1	Strain relief clip
Manufacturer	OBO
Dimension	6,5mm
Material	Steel
Surface	Electrogalvanized
Surface standard	EN ISO 19598 / EN ISO 4042
Smallest sales unit	100
Unit of quantity	Piece
Weight	0.115 kg
Weight unit	kg/100 pc.

Dimensions



Length	23 mm
Width	7 mm
Height	1.6 mm
Dimension a1 (mm)	8 mm
Dimension a2	4 mm
Dimension b	7 mm
Dimension d	3.2 mm
Dimension h	1.6 mm
Dimension H1 (mm)	1.2
Dimension L	23 mm
Dimension l	16 mm
Dimension R	6.5 mm
Dimension (mm)	8 mm
Dimension r1 (mm)	5
Dimension t	1 mm

Technical data sheet

Strain relief clip 7901

Item number: 1435027



Technical data

Distance to the wall	no
Number of cables/pipes	1
Version for	Two-lobe
Fastening type	Screw hole
For diameter	6,5
Suitable in fire protection area	no
Size	II
Halogen-free	yes
Plastic-covered	no
Hole size	3,2 mm
Material thickness	1 mm
Nominal diameter	6.5 mm
Clamping range D, max.	6.5 mm
Clamping range D, min.	6.5 mm
UV-resistant	yes