

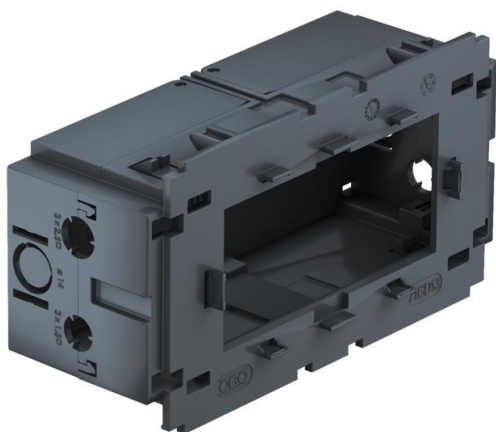
Technical data sheet

Accessory mounting box 71GD13, double, for Modul 45®

Item number: 6288583



Front locking double accessory mounting box for Modul 45® system, with folding, and also removable, base for time-saving cable connection, with feed openings for cable diameters of up to 14 mm.



PA Polyamide

Master data

Item number	6288583
Type	71GD13
Description 1	Accessory mounting box
Description 2	double for Modul 45
Manufacturer	OBO
Dimension	51x76x140
Colour	Iron grey; RAL 7011
Material	Polyamide
Smallest sales unit	1
Unit of quantity	Piece
Weight	11 kg
Weight unit	kg/100 pc.

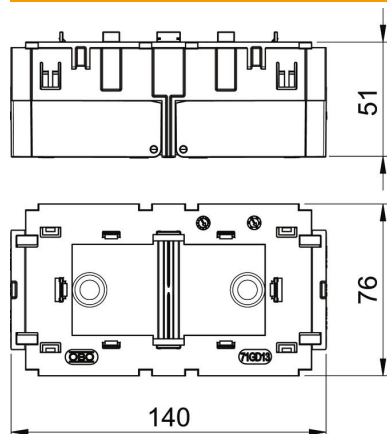
Technical data sheet

Accessory mounting box 71GD13, double, for Modul 45®



Item number: 6288583

Dimensions



Length	140 mm
Width	76 mm
Height	51 mm

Technical data

Number of units	2
Version for	Closed
Fastening track	Other
Halogen-free	yes
With connection compartment	yes
Box mounting type	Front
Accessory mounting type	Lock
Strain relief option	yes