

# Technical data sheet

## Base clamp clip, single

Item number: 2140071



Can be screwed onto M6 thread.



**PP** Polypropylene

### Master data

Item number	2140071
Type	2962 8 LGR
Description 1	Base clamp
Manufacturer	OBO
Dimension	8mm
Colour	Light grey; RAL 7035
Material	Polypropylene
Smallest sales unit	100
Unit of quantity	Piece
Weight	0.106 kg
Weight unit	kg/100 pc.

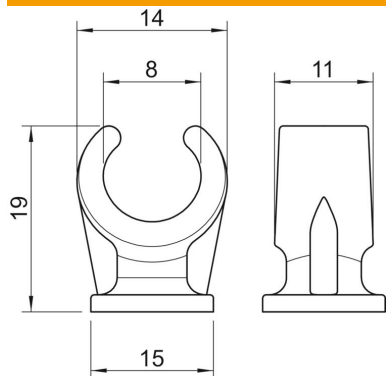
# Technical data sheet

## Base clamp clip, single

Item number: 2140071



### Dimensions



Dimension A	14 mm
Dimension B	11 mm
Dimension C	15 mm
Dimension H	19 mm

### Technical data

Number of cables/pipes	1
Version for	Single-lobe
Fastening type	Threaded connection
Suitable in fire protection area	no
Size	8
Halogen-free	yes
Plastic-covered	no
Nominal diameter	7.6 mm
Clamping range D, max.	8 mm
Clamping range D, min.	8 mm
UV-resistant	no