

# Technical data sheet

## Base clamp clip, single

Item number: 2140063



Can be screwed onto M6 thread.



CE

PP

Polypropylene

### Master data

Item number	2140063
Type	2962 6 LGR
Description 1	Base clamp
Manufacturer	OBO
Dimension	6mm
Colour	Light grey; RAL 7035
Material	Polypropylene
Smallest sales unit	100
Unit of quantity	Piece
Weight	0.08 kg
Weight unit	kg/100 pc.

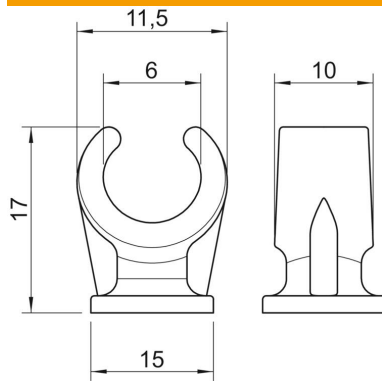
# Technical data sheet

## Base clamp clip, single

Item number: 2140063



### Dimensions



Dimension A	11.5 mm
Dimension B	10 mm
Dimension C	15 mm
Dimension H	17 mm

### Technical data

Number of cables/pipes	1
Version for	Single-lobe
Fastening type	Threaded connection
Suitable in fire protection area	no
Size	6
Halogen-free	yes
Plastic-covered	no
Nominal diameter	5.6 mm
Clamping range D, max.	6 mm
Clamping range D, min.	6 mm
UV-resistant	no