

Technical data sheet

Base clamp clip, single

Item number: 2140187



Can be screwed onto M6 thread.



PP Polypropylene

Master data

| | |
|---------------------|----------------------|
| Item number | 2140187 |
| Type | 2962 18 LGR |
| Description 1 | Base clamp |
| Manufacturer | OBO |
| Dimension | 16-18mm |
| Colour | Light grey; RAL 7035 |
| Material | Polypropylene |
| Smallest sales unit | 100 |
| Unit of quantity | Piece |
| Weight | 0.377 kg |
| Weight unit | kg/100 pc. |

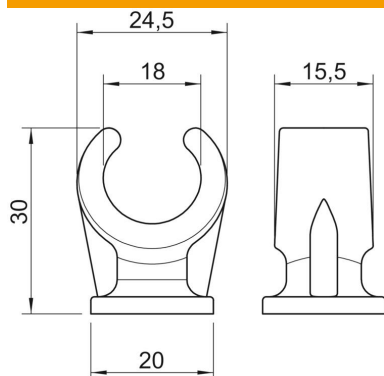
Technical data sheet

Base clamp clip, single

Item number: 2140187



Dimensions



| | |
|-------------|---------|
| Dimension A | 24.5 mm |
| Dimension B | 15.5 mm |
| Dimension C | 20 mm |
| Dimension H | 30 mm |

Technical data

| | |
|----------------------------------|---------------------|
| Number of cables/pipes | 1 |
| Version for | Single-lobe |
| Fastening type | Threaded connection |
| Suitable in fire protection area | no |
| Size | 16-18 |
| Halogen-free | yes |
| Plastic-covered | no |
| Nominal diameter | 17.1 mm |
| Clamping range D, max. | 18 mm |
| Clamping range D, min. | 16 mm |
| UV-resistant | no |