

Technical data sheet

Screw-in spacer clip, universal

Item number: 1383426



With M6 thread.



- St** Steel
- G** Electrogalvanized

Master data

| | |
|---------------------|-----------------------------|
| Item number | 1383426 |
| Type | 2900 M6 49-55 G |
| Description 1 | Distance saddle |
| Description 2 | with threaded connection M6 |
| Manufacturer | OBO |
| Dimension | 49-55mm |
| Material | Steel |
| Surface | Electrogalvanized |
| Surface standard | EN ISO 19598 / EN ISO 4042 |
| Smallest sales unit | 20 |
| Unit of quantity | Piece |
| Weight | 9.3 kg |
| Weight unit | kg/100 pc. |

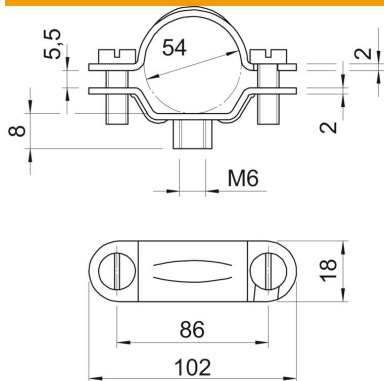
Technical data sheet

Screw-in spacer clip, universal

Item number: 1383426



Dimensions



| | |
|-------------------|--------|
| Length | 102 mm |
| Width | 18 mm |
| Dimension A | 102 mm |
| Dimension B | 86 mm |
| Dimension b | 18 mm |
| Dimension D | 54 mm |
| Dimension d min. | 54 mm |
| Dimension H | 8 mm |
| Dimension L | 102 mm |
| Dimension t1 (mm) | 2 |
| Dimension t2 (mm) | 2 |
| Dimension x | 5.5 mm |

Technical data

| | |
|------------------------|------------|
| Version for | Closed |
| Fastening type | Screw hole |
| Size | M50 |
| Halogen-free | no |
| Plastic-covered | no |
| Hole size | M6 mm |
| Material thickness | 2 mm |
| Bolt | M6 x 15 |
| Clamping range D, max. | 55 mm |
| Clamping range D, min. | 49 mm |
| UV-resistant | yes |