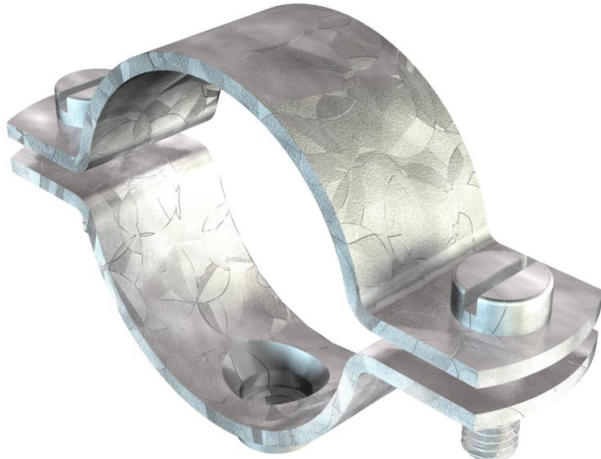


Technical data sheet

Screw-in spacer clip, heavy-duty version M8

Item number: 1387154



Can be screwed onto M8 thread. Size 27 FT is suitable for M25. Size 42.5 FT is suitable for M40. Size 48.5 FT is suitable for M50. Size 60 FT is suitable for M63.



St

Steel

FT

Hot-dip galvanised

Master data

| | |
|---------------------|-----------------------------|
| Item number | 1387154 |
| Type | 2900WM8 75.5 FT |
| Description 1 | Distance saddle |
| Description 2 | with threaded connection M8 |
| Manufacturer | OBO |
| Dimension | 2 1/2" |
| Material | Steel |
| Surface | Hot-dip galvanised |
| Surface standard | DIN EN ISO 1461 |
| Smallest sales unit | 50 |
| Unit of quantity | Piece |
| Weight | 21 kg |
| Weight unit | kg/100 pc. |

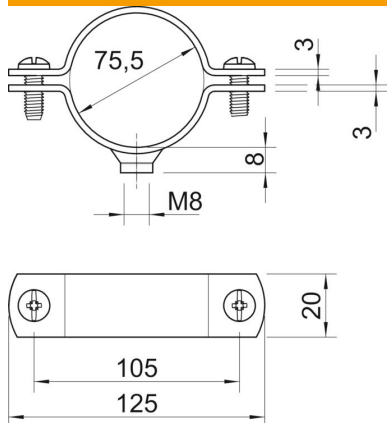
Technical data sheet

Screw-in spacer clip, heavy-duty version M8



Item number: 1387154

Dimensions



| | |
|-------------------|---------|
| Length | 125 mm |
| Width | 20 mm |
| Dimension A | 125 mm |
| Dimension B | 105 mm |
| Dimension D | 75.5 mm |
| Dimension d min. | 75.5 mm |
| Dimension t | 3 mm |
| Dimension t1 (mm) | 3 |
| Dimension x | 4 mm |

Technical data

| | |
|----------------------------------|------------|
| Version for | Closed |
| Fastening type | Screw hole |
| For diameter | 75,5 |
| for pipe diameter | M80 |
| Suitable in fire protection area | no |
| Thread | M8 |
| Size | 2 1/2" |
| Halogen-free | no |
| Plastic-covered | no |
| Hole size | M8 mm |
| Material thickness | 3 mm |
| Bolt | M6 x 18 |
| Clamping range D, max. | 75.5 mm |
| Clamping range D, min. | 71.5 mm |
| UV-resistant | yes |