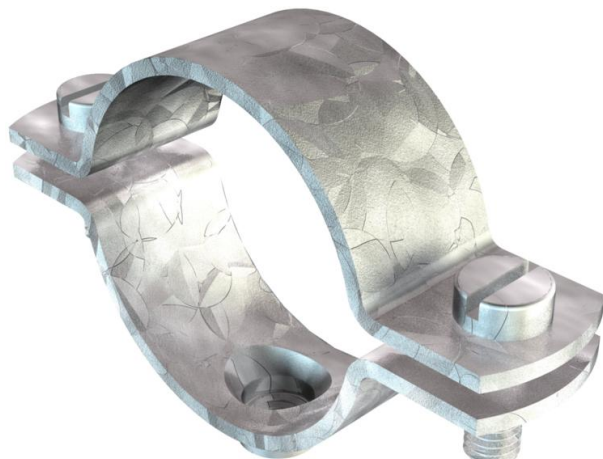


# Technical data sheet

## Screw-in spacer clip, heavy-duty version M8

Item number: 1387065



Can be screwed onto M8 thread. Size 27 FT is suitable for M25. Size 42.5 FT is suitable for M40. Size 48.5 FT is suitable for M50. Size 60 FT is suitable for M63.



**St** Steel

**FT** Hot-dip galvanised

### Master data

Item number	1387065
Type	2900WM8 33.5 FT
Description 1	Distance saddle
Description 2	with threaded connection M8
Manufacturer	OBO
Dimension	1"
Material	Steel
Surface	Hot-dip galvanised
Surface standard	DIN EN ISO 1461
Smallest sales unit	25
Unit of quantity	Piece
Weight	6.864 kg
Weight unit	kg/100 pc.

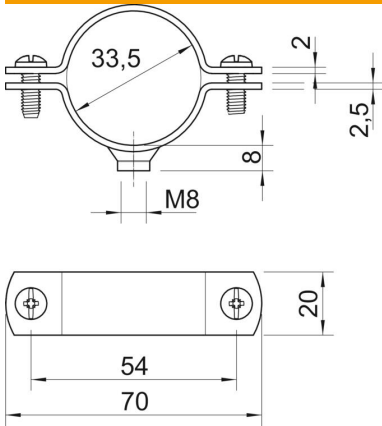
# Technical data sheet

## Screw-in spacer clip, heavy-duty version M8



Item number: 1387065

### Dimensions



Length	70 mm
Width	20 mm
Dimension A	70 mm
Dimension B	54 mm
Dimension D	33.5 mm
Dimension d min.	33.5 mm
Dimension t	2 mm
Dimension t1 (mm)	2.5
Dimension x	3 mm

### Technical data

Version for	Closed
Fastening type	Screw hole
For diameter	33,5
for pipe diameter	M32
Suitable in fire protection area	no
Thread	M8
Size	1"
Halogen-free	no
Plastic-covered	no
Hole size	M8 mm
Material thickness	2 mm
Bolt	M6 x 16
Clamping range D, max.	33.5 mm
Clamping range D, min.	30.5 mm
UV-resistant	yes