

# Technical data sheet

## Screw-in spacer clip, heavy-duty version M10

Item number: 1388053



Can be screwed onto M10 thread. Size 27 FT is suitable for M25. Size 48.5 FT is suitable for M50. Size 60 FT is suitable for M63.



**St** Steel

**FT** Hot-dip galvanised

### Master data

Item number	1388053
Type	2900WM10 27 FT
Description 1	Distance saddle
Description 2	with threaded connection M10
Manufacturer	OBO
Dimension	3/4"
Material	Steel
Surface	Hot-dip galvanised
Surface standard	DIN EN ISO 1461
Smallest sales unit	25
Unit of quantity	Piece
Weight	6.144 kg
Weight unit	kg/100 pc.

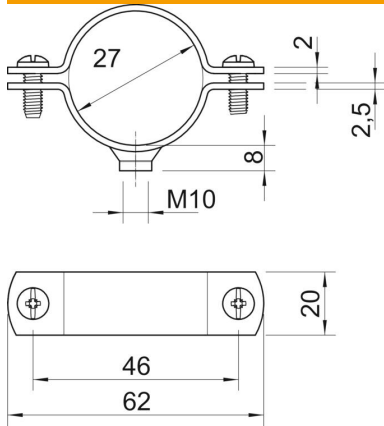
# Technical data sheet

## Screw-in spacer clip, heavy-duty version M10



Item number: 1388053

### Dimensions



Length	62 mm
Width	20 mm
Dimension A	62 mm
Dimension B	46 mm
Dimension L	62 mm
Dimension t	2 mm
Dimension t1 (mm)	2.5
Dimension x	2.5 mm

### Technical data

Version for	Closed
Fastening type	Screw hole
For diameter	27
for pipe diameter	M25
Suitable in fire protection area	no
Thread	M10
Size	3/4"
Halogen-free	no
Plastic-covered	no
Hole size	M10 mm
Bolt	M6 x 20
Clamping range D, max.	27 mm
Clamping range D, min.	24.5 mm
UV-resistant	yes