

Technical data sheet

Counter-trough, metal universal, DD

Item number: 1199846



Metal counter-trough, for mounting on clamp clip. Can be used universally, irrespective of the rail.



St Steel

DD Strip galvanised zinc/aluminium, Double Dip

Master data

Item number	1199846
Description 1	Counter-trough
Manufacturer	OBO
Dimension	8-12mm
Material	Steel
Surface	Strip galvanised zinc/aluminium, Double Dip
Surface standard	DIN EN 10346
Smallest sales unit	100
Unit of quantity	Piece
Weight	0.94 kg
Weight unit	kg/100 pc.
CO Footprint (GWP) Cradle-to-Gate	0,059 kg COe / 1 Piece

Technical data sheet

Counter-trough, metal universal, DD

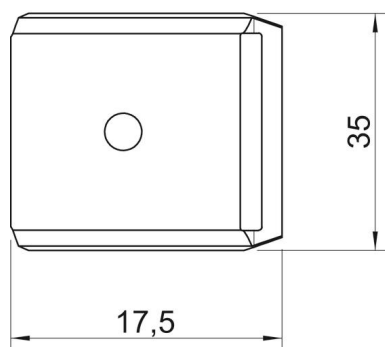
Item number: 1199846



Dimensions



Dimension B	17.5 mm
Dimension H	6.5 mm
Dimension L	35 mm



Technical data

Counter-trough/clip version	Counter sleeve
Suitable for max. cable diameter	12 mm
Halogen-free	yes
Clamping range D, max.	12 mm
Clamping range D, min.	8 mm