

# Technical data sheet

## Clamp clip, single, metal pressure trough

Item number: 1155407



Suitable for all C profile rails with slot width 11–12 mm; at least 6.5 mm clear internal height and at least 18.5 mm clear internal width; metal troughs have strongly rounded edges on all sides, so that there is no risk of cable damage.

Version with welding and/or locknuts for use under difficult circumstances and for shake protection on request.



**St** Steel

**FT** Hot-dip galvanised

### Master data

Item number	1155407
Description 1	Clamp clip
Description 2	with metal pressure sump
Manufacturer	OBO
Dimension	8-12mm
Material	Steel
Surface	Hot-dip galvanised
Surface standard	DIN EN ISO 1461
Smallest sales unit	100
Unit of quantity	Piece
Weight	2.45 kg
Weight unit	kg/100 pc.
CO Footprint (GWP) Cradle-to-Gate	0,616 kg COe / 1 Piece

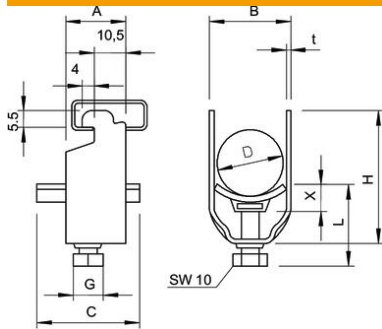
# Technical data sheet

## Clamp clip, single, metal pressure trough



Item number: 1155407

### Dimensions



Dimension A	20 mm
Dimension B	16 mm
Dimension C	30 mm
Dimension G (mm)	M6
Dimension H	34 mm
Dimension L	32.5 mm
Dimension t	1.5 mm
Dimension x	3.5 mm

### Technical data

Number of cables/pipes	1
for 1 cable H	34 mm
for 1 cable L	32.5
for 2 cable H	49 mm
for 2 cable L	45.5 mm
for 3 cable H	65 mm
for 3 cable L	45.5 mm
for rail with slot width (with interval), max.	12 mm
for rail with slot width (with interval), min.	11 mm
Halogen-free	no
Max. Tightening torque	3 Nm
With plastic trough	no
With metal trough	yes
Mounting type	Profile rail
Impact-resistant	no
Clamping range D, max.	12 mm
Clamping range D, min.	8 mm
Surface addition	hot galvanised
Material addition	Steel
With counter-trough	no
Material of trough	Steel