

# Technical data sheet

## Clamp clip, single, FT plastic pressure trough

Item number: 1169122



Suitable for flat, bracket and U irons of 4–12 mm material thickness.  
Clip and bolt made of hot-dip galvanised steel.  
Polypropylene pressure trough, halogen-free, colour light grey RAL 7035.  
Version with welding and/or locknuts for use under difficult circumstances and for shake protection on request.



**St** Steel

**FT** Hot-dip galvanised

### Master data

Item number	1169122
Type	2056F 12 FT
Description 1	Clamp clip
Manufacturer	OBO
Dimension	8-12mm
Material	Steel
Surface	Hot-dip galvanised
Surface standard	DIN EN ISO 1461
Smallest sales unit	100
Unit of quantity	Piece
Weight	3.7 kg
Weight unit	kg/100 pc.

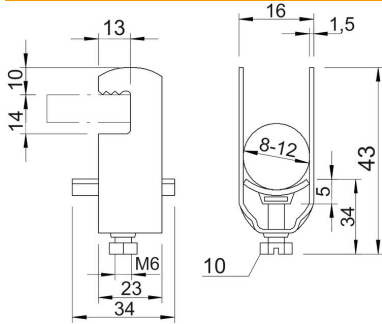
# Technical data sheet

## Clamp clip, single, FT plastic pressure trough

Item number: 1169122



### Dimensions



Dimension A	23 mm
Dimension B	16 mm
Dimension C	34 mm
Dimension E	13 mm
Dimension G (mm)	M6
Dimension H	43 mm
Dimension L	34 mm
Dimension t	1.5 mm
Dimension x	5 mm

### Technical data

Number of cables/pipes	1
for 1 cable H	43 mm
for 1 cable L	34
for 2 cable H	57 mm
for 2 cable L	34 mm
for 3 cable H	71 mm
for 3 cable L	47 mm
Halogen-free	yes
Max. Tightening torque	3 Nm
With plastic trough	yes
With metal trough	no
Mounting type	Flat profile
Impact-resistant	no
Clamping range D, max.	12 mm
Clamping range D, min.	8 mm
Surface addition	hot galvanised
Material addition	Steel
With counter-trough	no
Material of trough	Plastic
Material quality of trough	Polypropylene