

Technical data sheet

Series pressure clip, light grey

Item number: 2250071



Universal clip for the single fastening of cables and pipes, all sizes can be seamlessly expanded among each other, with adhesive foot, slot and for screwing to M6 thread.

To stick the polyamide clips to masonry and concrete, use Impu-Fix ribbon conductor quick adhesive, type 509.

*Sizes 3–7 are not suitable for nail guns.



PA Polyamide

Master data

| | |
|---------------------|----------------------|
| Item number | 2250071 |
| Type | 2037 3-7 LGR |
| Description 1 | Series pressure clip |
| Manufacturer | OBO |
| Dimension | 3-7mm |
| Colour | Light grey; RAL 7035 |
| Material | Polyamide |
| Smallest sales unit | 100 |
| Unit of quantity | Piece |
| Weight | 0.26 kg |
| Weight unit | kg/100 pc. |

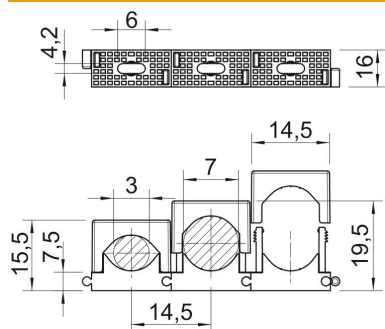
Technical data sheet

Series pressure clip, light grey

Item number: 2250071



Dimensions



| | |
|------------------|---------|
| Dimension A | 14.5 mm |
| Dimension d max. | 7 mm |
| Dimension d min. | 3 mm |
| Dimension F | 6 mm |
| Dimension H1 | 7.5 mm |
| Dimension H2 | 15.5 mm |
| Dimension H3 | 19.5 mm |

Technical data

| | |
|------------------------|------------|
| Expandable | yes |
| Number of cables/pipes | 1 |
| Fastening type | Screw hole |
| Halogen-free | yes |
| Snap system | yes |
| Impact-resistant | no |
| Clamping range D, max. | 7 mm |
| Clamping range D, min. | 3 mm |