

Technical data sheet

Adhesive clip 2027, light grey

Item number: 2228858



Adhesive clip, for clamping to the cable.



PP Polypropylene

Master data

Item number	2228858
Type	2027 40 LGR
Description 1	Self-retaining clip
Manufacturer	OBO
Dimension	10-14mm, L40
Colour	Light grey; RAL 7035
Material	Polypropylene
Smallest sales unit	100
Unit of quantity	Piece
Weight	0.196 kg
Weight unit	kg/100 pc.

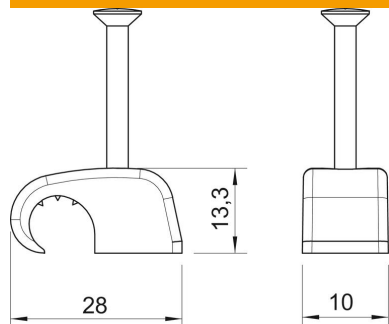
Technical data sheet

Adhesive clip 2027, light grey

Item number: 2228858



Dimensions



Dimension B	10 mm
Dimension H	13.3 mm
Dimension L	28 mm

Technical data

Double clip	no
Shape	Round (for round conductor)
for cable diameter, max.	14 mm
for cable diameter, min.	10 mm
For nail diameter	2,0 x 40
Hardened	yes
Halogen-free	yes
With nail	yes
Impact-resistant	yes
Pipe locking	no