

# Technical data sheet

## Cable bracket for flat conductors, with round pin

Item number: 5226570



- With crossbar and 2 hexagonal bolts (VA)
- With loose round pin Ø 9 mm

**St** Steel

**FT** Hot-dip galvanised

### Master data

Item number	5226570
Type	166 LS 70
Description 1	Cable fixing device
Description 2	with pin
Manufacturer	OBO
Dimension	70mm
Material	Steel
Surface	Hot-dip galvanised
Surface standard	DIN EN ISO 1461
Smallest sales unit	50
Unit of quantity	Piece
Weight	9.14 kg
Weight unit	kg/100 pc.

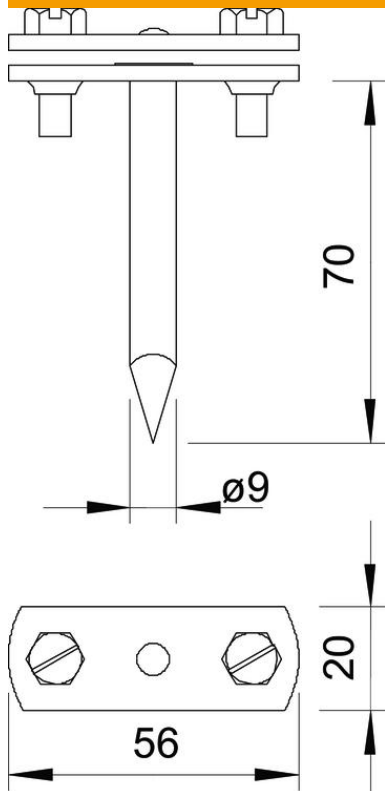
# Technical data sheet

## Cable bracket for flat conductors, with round pin

Item number: 5226570



### Dimensions



Length 70 mm

### Technical data

Holder fastening type	With impact pin
Conductor fastening type	With screw clip
Use in Ex area	yes
High voltage-resistant, insulated version	no
Cable dimensions	30 x 4 mm flat
Material of the holder	Steel
Material of the base	Steel
Material of the crossbar	Steel